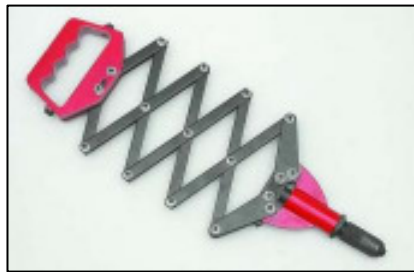




Y*70000 5906083700002
Kniediklis TOYA
2,4; 3,2; 4,0; 4,8mm



Y*70260 5906083702600
Spyruoklinis kniediklis TOYA
3,4; 4,0; 4,8mm



D*N40-005 5906757101210
Kniediklis MODECO
2,4; 3,2; 4; 4,8mm



Y*70030 5906083700309
Kniediklis TOYA
225mm 2,4; 3,2; 4,0; 4,8mm



0-69-804 3253560698041
Kniediklis MR 55 STANLEY
3-4-5mm



D*N40-006 5906757134348
Kniediklis PROFI EXPERT MODECO
2,4; 3,2; 4; 4,8mm; TÜV/GS



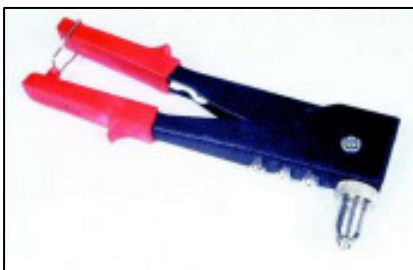
Y*70100 5906083701009
Kniediklis TOYA
Profesionalus; kelių padėčių 0 – 360°



0-69-833 3253560698330
Kniediklis MR33 STANLEY
3-4mm



Y*YT-3600 5906083936005
Kniediklis YATO
2,4; 3,2; 4,0; 4,8mm 280mm



Y*70160 5906083701603
Kniediklis TOYA
Profesionalus; 2 padėčių 90 – 180



T*43E790 5902062427908
Kniediklis profiliaus Topex
255mm, d-4; 5; 6 mm



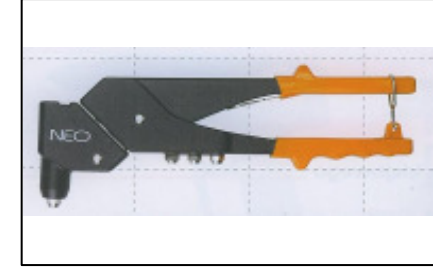
Y*70210 5906083702105
Kniediklis TOYA
3,4; 4,0; 4,8mm



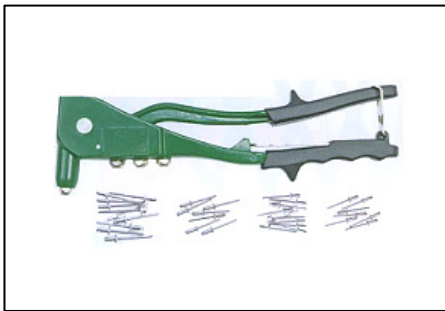
6-MR100 3253566053004
Kniediklis MR100 STANLEY



T*18-101 5907558400137
Kniediklis NEO
2,4; 3,2; 4,0; 4,8mm; 260mm

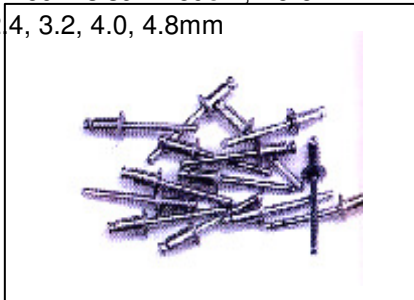


T*18-102 5907558400144
Kniediklis kelių padėčių NEO
2,4; 3,2; 4,0; 4,8mm; 280mm



Y*70050 5906083700507

Kniediklis su kniedēm, Vorel
2,4, 3,2, 4,0, 4,8mm



Y*70550 5906083705502

Kniedēs plieninēs
3,2x6,4mm 50vnt

Y*70551 5906083705519

3,2x9,6mm 50vnt

Y*70553 5906083705533

4,0x6,4mm 50vnt

Y*70554 5906083705540

4,0x9,6mm 50vnt

Y*70555 5906083705557

4,0x12,7mm 50vnt

Y*70556 5906083705564

4,0x19,0mm 50vnt

Y*70558 5906083705588

4,8x9,6mm 50vnt

Y*70559 5906083705595

4,8x12,7mm 50vnt

Y*70560 5906083705601

4,8x19,0mm 50vnt



Y*70320 5906083703201

Aliuminēs kniedēs TOYA
3,2x 6,4mm 50vnt

Y*70330 5906083703300

3,2x 9,6mm 50vnt

Y*70340 5906083703409

3,2x12,7mm 50vnt

Y*70400 5906083704000

4,0x 6,4mm 50vnt

Y*70410 5906083704109

4,0x 9,6mm 50vnt

Y*70420 5906083704208

4,0x12,7mm 50vnt

Y*70430 5906083704307

4,0x19mm 50vnt

Y*70480 5906083704802

4,8x 6,4mm 50vnt

Y*70490 5906083704901

4,8x 9,6mm 50vnt

Y*70500 5906083705007

4,8x12,7mm 50vnt

Y*70510 5906083705106

4,8x19mm 50vnt



T*43E301 5902062020154

Aliuminēs kniedēs Standard line
TOPEX; 3,2x8mm; 50 vnt.

T* 43E302 5902062020192

TOPEX; 3,2x10mm; 50 vnt.

T* 43E401 5902062020161

TOPEX; 4,0x8,0mm; 50 vnt.

T* 43E403 5902062020208

TOPEX; 4,0x13mm; 50 vnt.

T* 43E404 5902062020284

TOPEX; 4,0x16,0mm; 50 vnt.

T* 43E405 5902062020291

TOPEX; 4,0x18,0mm; 50 vnt.

T* 43E3402 5902062020949

TOPEX; 4,0x10mm; 50 vnt.

T*43E501 5902062020178

TOPEX; 4,4x8,0mm; 50 vnt.

T* 43E502 5902062020215

TOPEX; 4,8x10mm; 50 vnt.

T* 43E503 5902062020956

TOPEX; 4,8x12mm; 50 vnt.

T* 43E504 5902062020222

TOPEX; 4,8x14,5mm; 50 vnt.

T* 43E505 5902062020307

TOPEX; 4,8x18mm; 50 vnt.

T* 43E507 5902062020314

TOPEX; 4,8x23mm; 50 vnt.

T* 43E509 5902062020321

TOPEX; 4,8x28mm; 50 vnt.